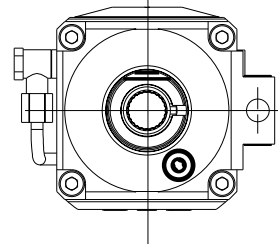
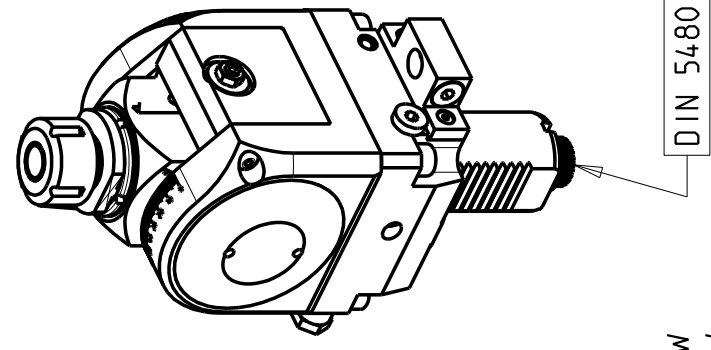
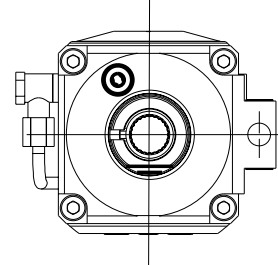


versione dx
right version
version rechts



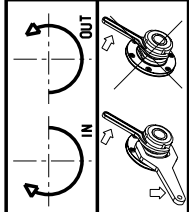
versione sx
left version
version links



Cod. MT		Mandrino Spindle Spindel	I	RPM	Coppia Max Max Torque Max Drehmoment	Lubrificazione est. Ext. coolant Aussehenkuehlung	A	A1	D	L	CHIAVI INCLUDE Keys included Schlüssel einbeigriffen	
versione dx right version version rechts	versione sx left version version links										CHUB36	CHSTER20
SAU0790120	SAU0791120	ER20	1:1	6000	40Nm	X	85.16	-	-	-	CHUB36	CHSTER20
SAU0790125	SAU0791125	ER25	1:1	6000	40Nm	X	86.16	-	-	-	CHUB36	CHSTER25
SAU0790516	SAU0791516	Ø16x17	1:1	6000	40Nm	X	-	65	16	17	CHUB36	CH_VTCROCE_M08
SAU0790522	SAU0791522	Ø22x19	1:1	6000	40Nm	X	-	66	22	19	CHUB36	CH_VTCROCE_M10
SAU0790519	SAU0791519	Ø3/4"x3/4"	1:1	6000	40Nm	X	-	65	3/4"	3/4"	CHUB36	CH_VTCROCE_M08

SAUTER
VDI 40

MODULO MOTORIZZATO ORIENTABILE 0-90° VDI40 DIN 5480
0-90° adjustable angle driven tool VDI40 DIN 5480
Antriebsbauelement schwenkbar 0-90° VDI40 DIN 5480



M.T. srl

Via Casino Albini 480
Tel. 0541/956034-957884
47842 S. GIOVANNI IN M. (RN)
e-mail: mtma@mtmarchetti.com
http://www.mtmarchetti.com



PRODUZIONE MODULI ROTANTI
PAGINA SAU019-3-50