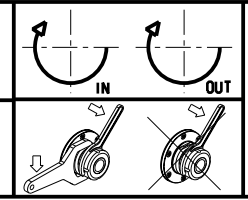


- Chiave inclusa
- Key included
- Schlüssel inbegriffen


Cod. MT	Mandrino Spindel Spindel	I	RPM	Coppia Max Max Torque Max Drehmoment	Reversibile lato mandrino/contromandrino Reversible sub/main spindle side Umkehrbare Spindelsetseite/Gegenspindelsetseite	Lubrificazione int. Coolant through Innenkuehlung	Lubrificazione est. Ext. coolant Aussenkuehlung	A	B	CHIAVI NON INCLUSE Keys not included Schlüssel nicht inbegriffen		
DW 02680320	ERA20	1:1	6000	35Nm	X	-	X	66.5	46	CHUB22	CHTAER20ZC	OKU0290009
DW 02680420	ERA20	1:1	6000	35Nm	X	P=70bar	X	66.5	56	CHUB22	CHTAER20ZC	OKU0290009
DW 02680325	ERA25	1:1	6000	35Nm	X	-	X	70	46	CHUB27	CHTAER25ZC	OKU0290009
DW 02680425	ERA25	1:1	6000	35Nm	X	P=70bar	X	70	56	CHUB27	CHTAER25ZC	OKU0290009

DOOSAN BMT 45  
 MOD: PUMA TW 2100M 10ST.  
 MODULO MOTORIZZATO ASSIALE H=105mm  
 Axial driven tool H=105mm  
 Axial angetriebenes Werkzeug H=105mm  
 Subject to change without notice.

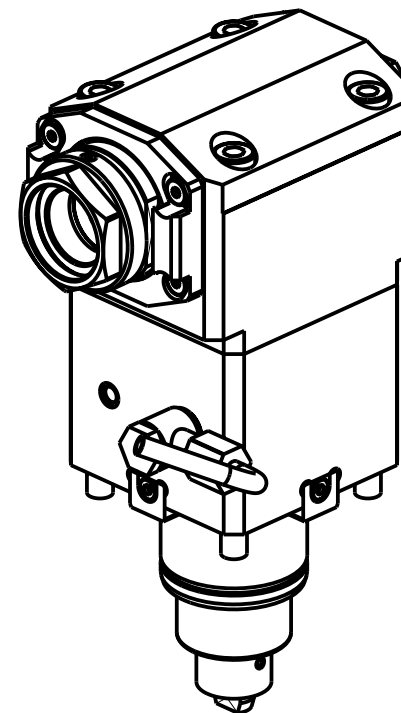
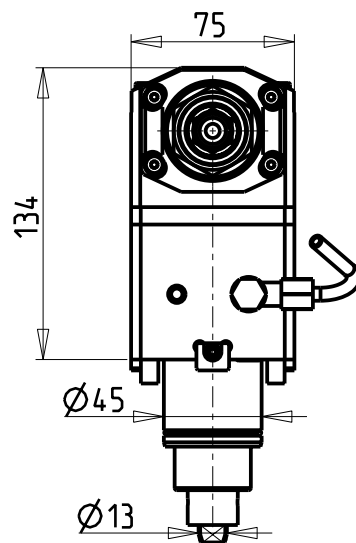
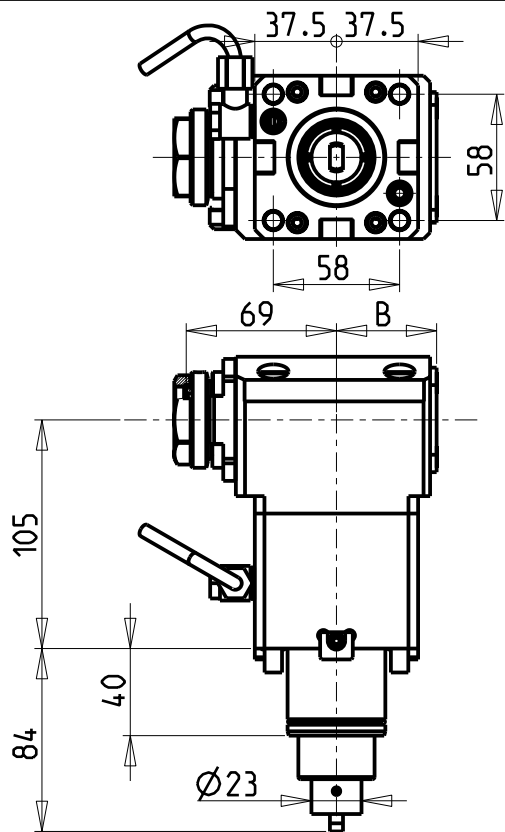


**M.T. srl**  
 Via Casino Albini 480  
 Tel. 0541/956034-957884  
 Fax 0541/956341  
 47842 S. GIOVANNI IN M. (RN)  
 e-mail: mtma@mtmarchetti.com  
 http://www.mtmarchetti.com

PRODUZIONE MODULI ROTANTI



PAGINA DW 0150-1-20



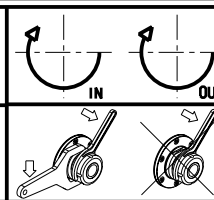
PER PORTAUTENSILI MODULARI MTSK-32 VEDI PAG. TBL300-1-32  
 FOR MTSK-32 QUICK CHANGE TOOLHOLDERS CLAMPINGS SEE PAGE TBL300-1-32  
 FUER MTSK-32 MODULARE WERKZEUGAUFNAHMEN SIEHE SEITE TBL300-1-32

Cod. MT	Mandrino Spindle Spindel	I	RPM	Coppia Max Max Torque Max Drehmoment	Reversibile lato mandrino/contromandrino Reversible sub/main spindle side Umkehrbare Spindel-seite/ Gegenspindel-seite	Lubr.interna Coolant through Innenkuehlung	Lubrificazione est. Ext. coolant Aussenkuehlung	B	CHIAVI NON INCLUSE Keys not included Schluessel nicht einbegriffen	
DW02690132	MTSK-32	1:1	6000	35Nm	X	-	X	46	CHUB36	OKU0290009 •
DW02690232	MTSK-32	1:1	6000	35Nm	X	P=70bar	X	56	CHUB36	OKU0290009 •

- Chiave inclusa
- Key included
- Schluessel inbegriffen

DOOSAN BMT 45  
 MOD: PUMA TW 2100M 10ST.

MODULO MOTORIZZATO ASSIALE MTSK H=105mm  
 Axial MTSK driven tool H=105mm  
 Axial MTSK angetriebenes Werkzeug H=105mm



**M.T. srl**  
 Via Casino Albini 480  
 Tel. 0541/956034-957884  
 Fax 0541/956341  
 47842 S. GIOVANNI IN M. (RN)  
 e-mail: mtma@mtmarchetti.com  
 http://www.mtmarchetti.com

PRODUZIONE MODULI ROTANTI



PAGINA DW0150-1-20-K

Subject to change without notice.

04/2020